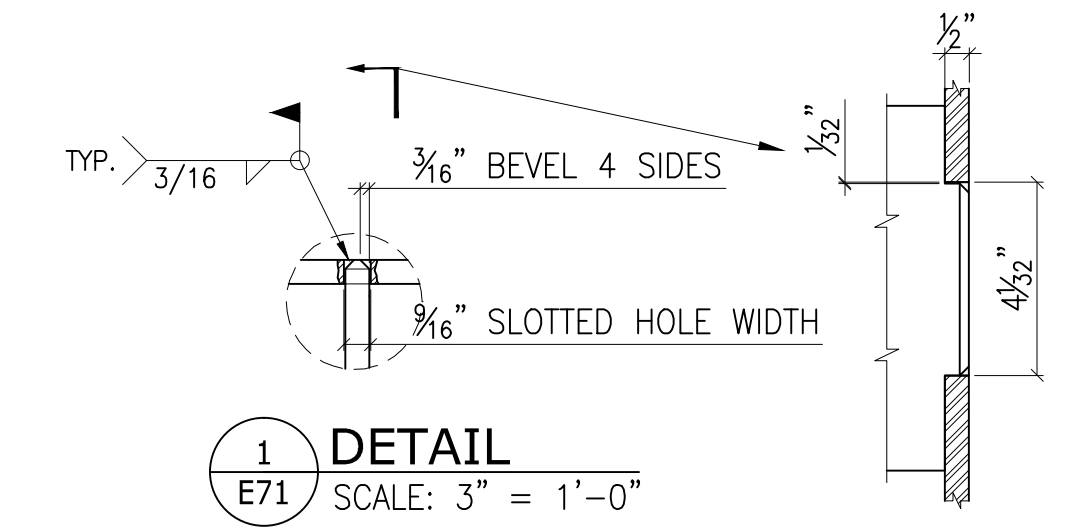
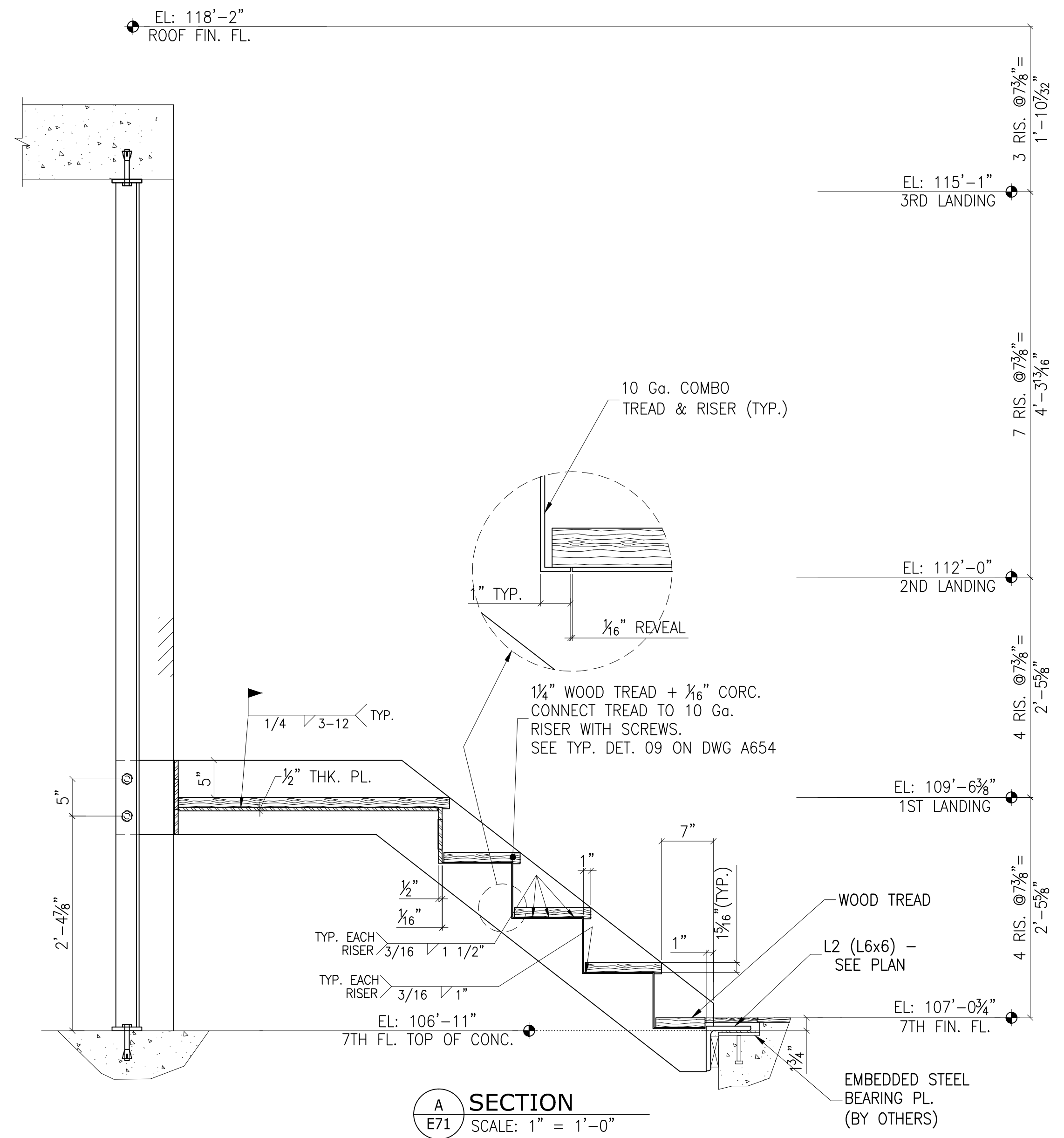
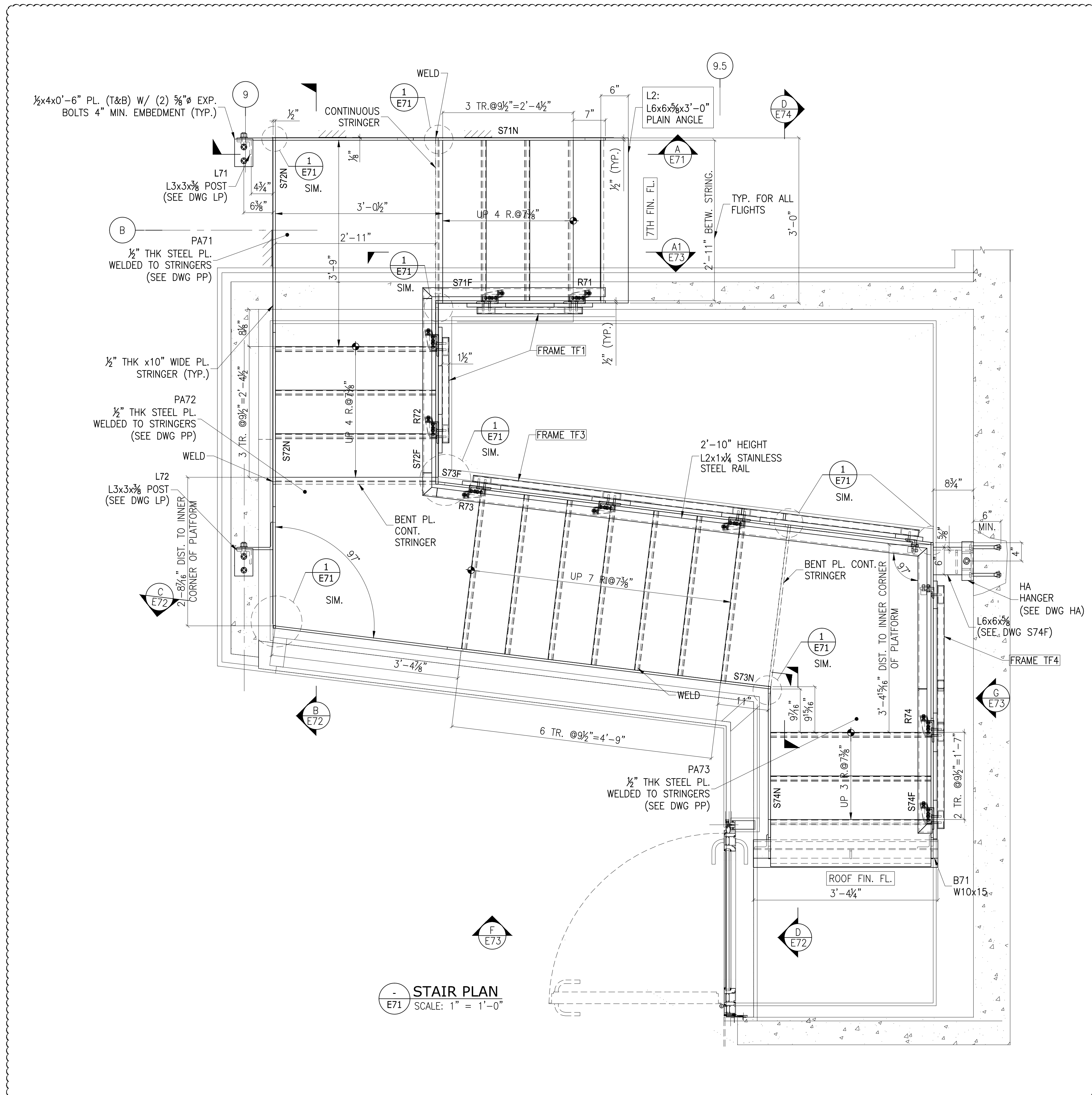


STAIR 'G'  
E70 SCALE: N.T.S.

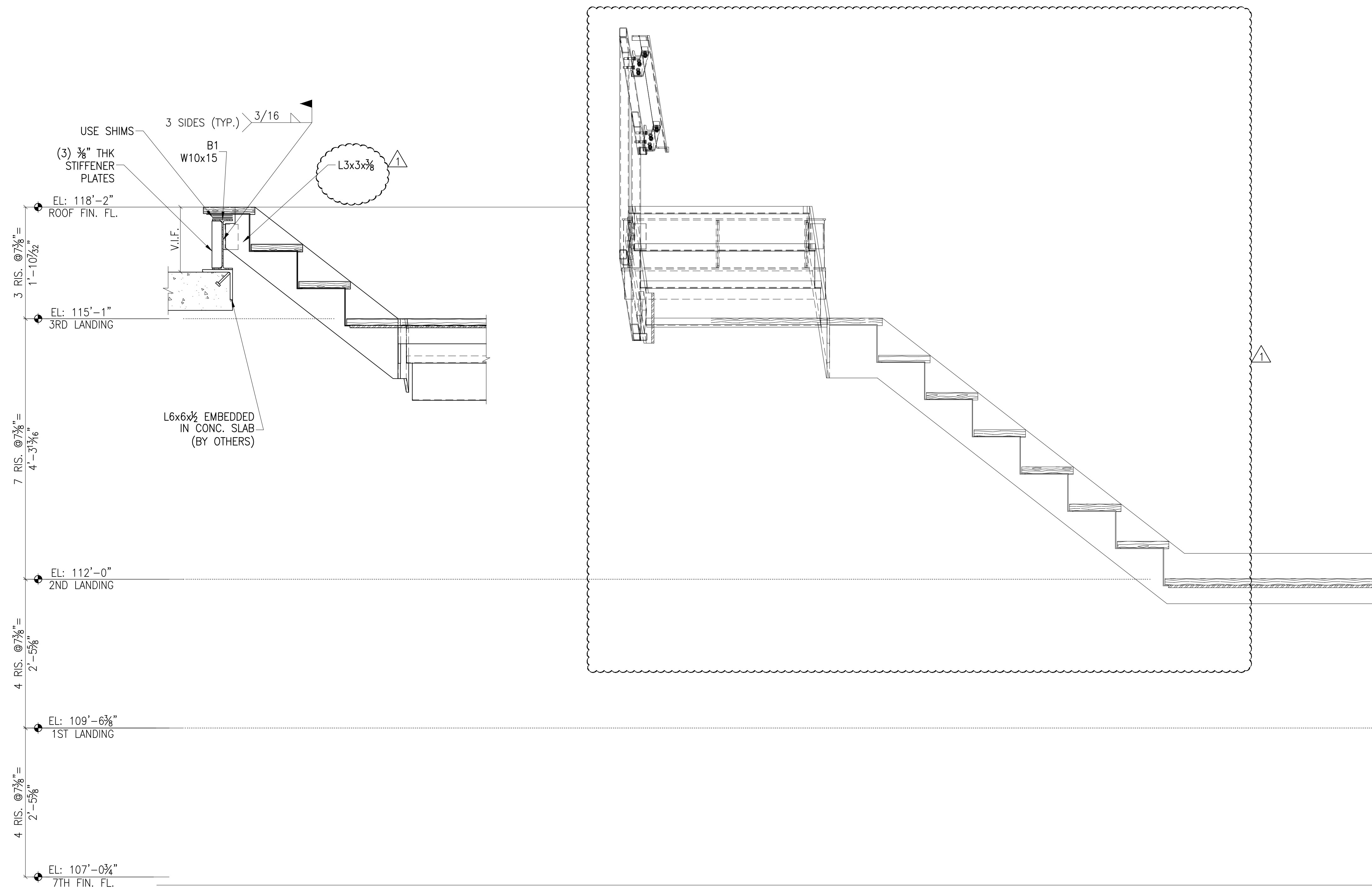
PLATES: A36 (U.O.N.) FITTINGS: A36 BOLTS: 5/8"Ø A325 SC (U.O.N.) HOLES: 11/16"Ø (U.O.N.) WELD: E70XX ELECTRODES PAINT: AS PER SPECIFICATION			<b>Inter Metal Fabricators, Inc.</b> 161 Dikeman street Brooklyn, New York 11231 p: 718-852-4000 f: 718-852-4442 PROJECT: W53RD STREET STAIR 7 FL-ROOF UNIT 00 TITLE: STAIR ISOMETRIC VIEW		
<b>REVISIONS</b> LOCATION: 405 W53rd Street New York, NY			ENGINEER: SEVERUD ASSOCIATES CONSULTING ENGINEERS P.C. DRAWING		
No.	DATE	REMARKS	ARCH: SMITH-MILLER+HAWKINSON ARCHITECTS		
1	Aug-26-09	REVISED AS NOTED	DRAWN BY: A.B. DATE: Jul/06/09		

E70



GRIND SMOOTH ALL WELDS!

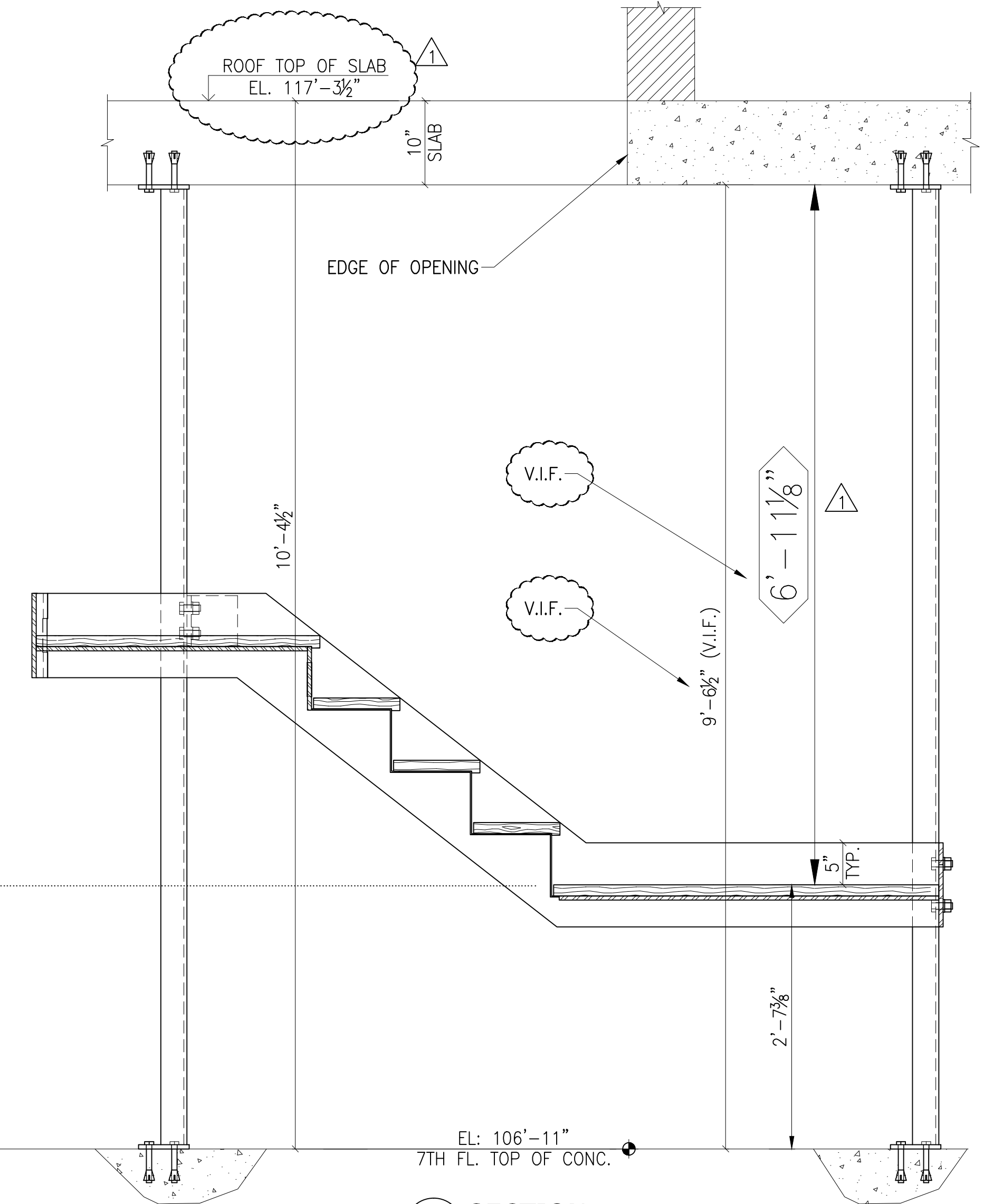
PLATES: A36 (U.O.N.) FITTINGS: A36 BOLTS: 5/8" $\phi$ A325 SC (U.O.N.) HOLES: 11/16" $\phi$ (U.O.N.) WELDS: E70XX ELECTRODES PAINT: AS PER SPECIFICATION		<b>Inter Metal Fabricators, Inc.</b> 161 Dikeman Street Brooklyn, New York 11231 p: 718-852-4000 f: 718-852-4442 PROJECT: W53RD STREET STAIR 7 FL-ROOF UNIT 00 TITLE: STAIR PLAN, SECTIONS & DETAILS LOCATION: 405 W53rd Street New York, NY	
REVISIONS		DRAWING	
No.	DATE	REMARKS	DATE
1	Aug-26-09	REVISED AS NOTED	ARCH.: SMITH-MILLER+HAWKINSON ARCHITECTS
		DRAWN BY: A.B.	DATE: Jul/06/09



3 RIS. @  $7\frac{3}{8}$ " = 1'-10 $\frac{1}{2}$ "  
 EL: 118'-2" ROOF FIN. FL.  
 USE SHIMS  
 (3)  $\frac{3}{8}$ " THK STIFFENER PLATES  
 B1 W10x15  
 3 SIDES (TYP.)  $\frac{3}{16}$ "  
 L3x3x $\frac{3}{8}$ "  
 V.I.F.  
 L6x6x $\frac{1}{2}$  EMBEDDED IN CONC. SLAB (BY OTHERS)  
 EL: 115'-1" 3RD LANDING  
 7 RIS. @  $7\frac{3}{8}$ " = 4'-3 $\frac{3}{8}$ "  
 EL: 112'-0" 2ND LANDING  
 4 RIS. @  $7\frac{3}{8}$ " = 2'-5 $\frac{3}{8}$ "  
 EL: 109'-6 $\frac{3}{8}$ " 1ST LANDING  
 4 RIS. @  $7\frac{3}{8}$ " = 2'-5 $\frac{3}{8}$ "  
 EL: 107'-0 $\frac{3}{4}$ " 7TH FIN. FL.

**D SECTION**  
 E72 SCALE: 1" = 1'-0"

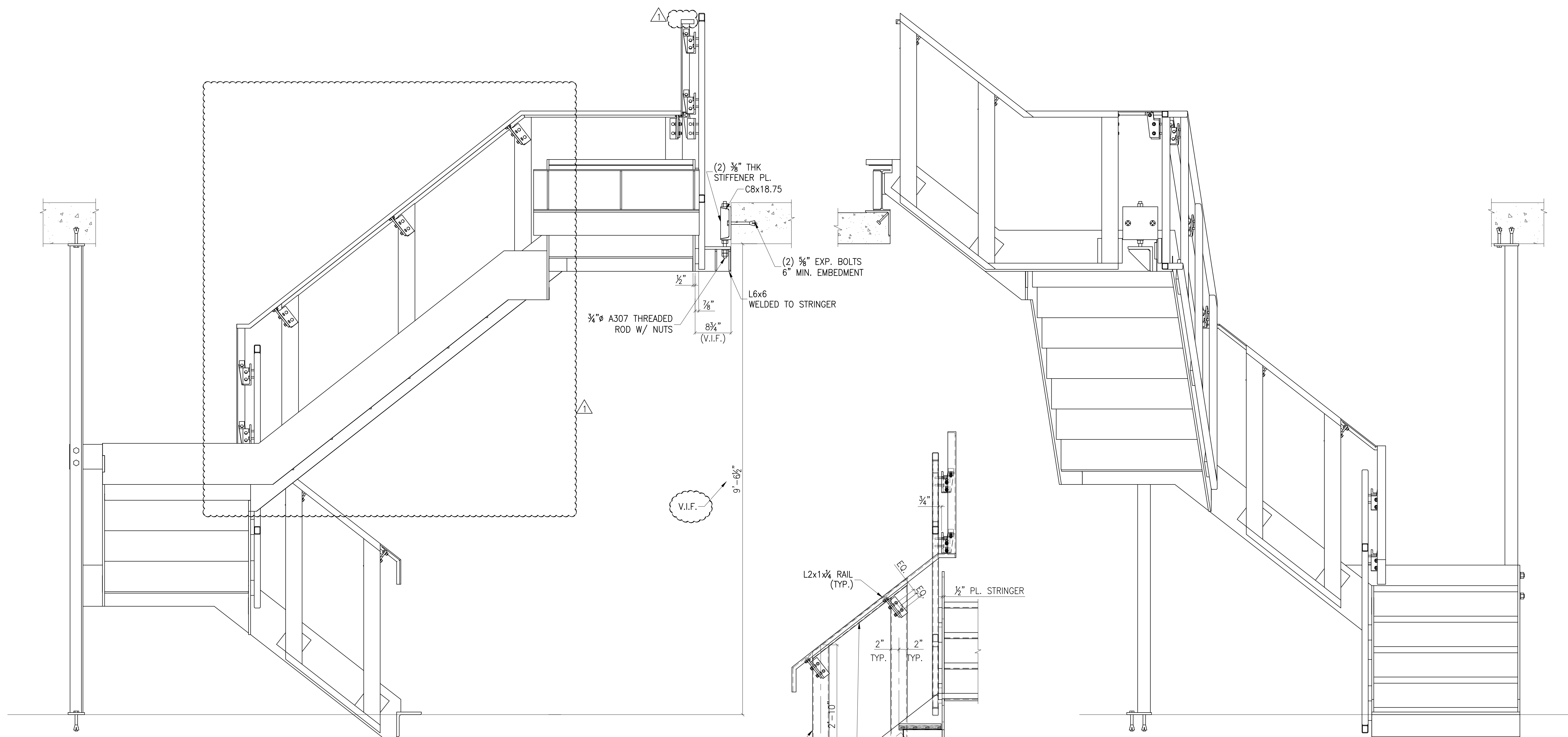
**C SECTION**  
 E72 SCALE: 1" = 1'-0"



ROOF TOP OF SLAB EL. 117'-3 $\frac{1}{2}$ "  
 10" SLAB  
 EDGE OF OPENING  
 V.I.F.  
 V.I.F.  
 10'-4 $\frac{1}{2}$ "  
 6'-1 $\frac{1}{8}$ "  
 9'-6 $\frac{1}{2}$ " (V.I.F.)  
 2'-7 $\frac{3}{8}$ "  
 EL: 106'-11" 7TH FL. TOP OF CONC.

**B SECTION**  
 E72 SCALE: 1" = 1'-0"

PLATES: A36 (U.O.N.) FITTINGS: A36 BOLTS: 5/8" A325 SC (U.O.N.) HOLES: 11/16" (U.O.N.) WELD: E70XX ELECTRODES PAINT: AS PER SPECIFICATION		<b>Inter Metal Fabricators, Inc.</b> 161 Dikeman Street Brooklyn, New York 11231 p: 718-852-4000 f: 718-852-4442 PROJECT: W53RD STREET STAIR 7 FL-ROOF UNIT 00 TITLE: STAIR SECTIONS LOCATION: 405 W53rd Street New York, NY	
REVISIONS		DRAWING	
No.	DATE	REMARKS	ARCHITECT
1	Aug-26-09	REVISED AS NOTED	SMITH-MILLER+HAWKINSON ARCHITECTS
		DRAWN BY: A.B.	DATE: Jul/06/09



**F SECTION**  
 E73 SCALE: 1" = 1'-0"  
 NOTE: DRAWING SIMPLIFIED FOR CLARITY

**G SECTION**  
 E73 SCALE: 1" = 1'-0"  
 NOTE: DRAWING SIMPLIFIED FOR CLARITY

**A1 SECTION**  
 E73 SCALE: 1" = 1'-0"

- NOTES:
1. TUBE FRAME WITH 7/8" THK PLATES TO BE WELDED TO INSIDE STRINGERS. SEE DWG ASK-74REV1B FOR THE BALANCE OF INFORMATION
  2. WALLS NOT SHOWN FOR CLARITY

PLATES: A36 (U.O.N.) FITTINGS: A36 BOLTS: 5/8"Ø A325 SC (U.O.N.) HOLES: 11/16"Ø (U.O.N.) WELD: E70XX ELECTRODES PAINT: AS PER SPECIFICATION		<b>Inter Metal Fabricators, Inc.</b> 161 Dikeman Street Brooklyn, New York 11231 p: 718-852-4000 f: 718-852-4442 PROJECT: W53RD STREET STAIR 7 FL-ROOF UNIT 00 TITLE: STAIR SECTIONS	
REVISIONS LOCATION: 405 W53rd Street New York, NY			
No.	DATE	REMARKS	DRAWING
△	Aug-26-09	REVISED AS NOTED	ARCH.: SMITH-MILLER+HAWKINSON ARCHITECTS
DRAWN BY: A.B.			DATE: Jul/06/09