

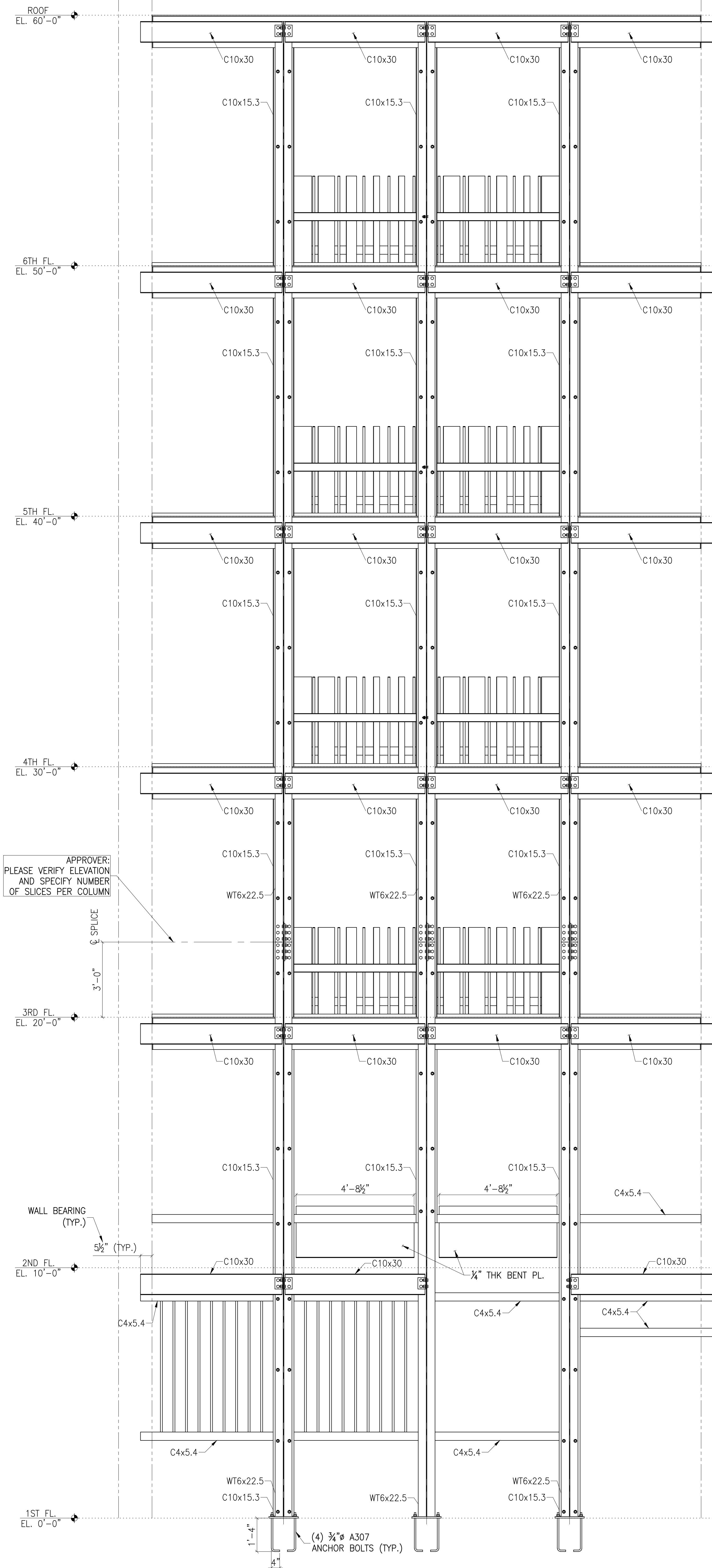
FRONT ELEVATION
SCALE: 1/2" = 1'-0"

ISOMETRIC VIEWS
SCALE: N.T.S.

APPROVER:
PLEASE VERIFY INFORMATION,
DIMENSIONS AND ELEVATIONS
SHOWN ON THIS DRAWING

ALL DIMENSIONS SHOWN ON THIS DRAWING
TO BE VERIFIED IN THE FIELD

WT SHAPES: A992; TUBES: 500 GR. B		PROJECT: 461 WEST 150TH STREET FRONT STRUCTURE	
CHANNELS, PLATES & FITTINGS: A36		TITLE: FRONT ELEVATION	
BOLTS: 3/4" A325 SC (U.O.N.)		ENGINEER: MURRAY ENGINEERING	
HOLES: 13/16" (U.O.N.)		ARCH.: MICHAEL SHMITT ARCHITECT PC	
WELD: E70XX ELECTRODES		Steel detailer: NYacad, Inc. www.nyacad.com	
PAINT: AS PER SPECIFICATION		DRAWN BY: A.B. DATE: May/12/10	
REVISIONS			
No.	DATE	REMARKS	DRAWING
			E1



APPROVER:
PLEASE VERIFY ELEVATION
AND SPECIFY NUMBER
OF SLICES PER COLUMN

APPROVER:
PLEASE VERIFY INFORMATION,
DIMENSIONS AND ELEVATIONS
SHOWN ON THIS DRAWING

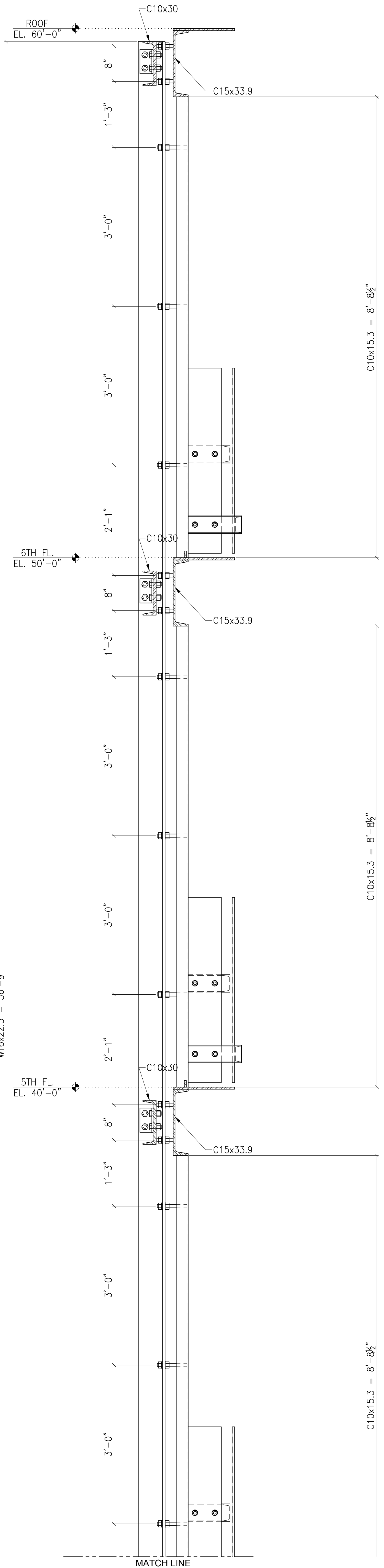
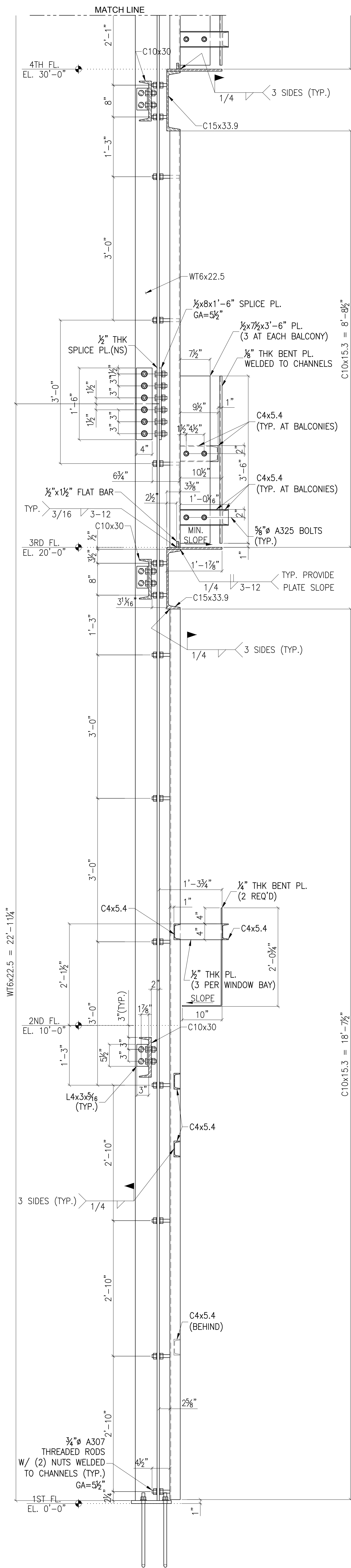
ALL DIMENSIONS SHOWN ON THIS DRAWING
TO BE VERIFIED IN THE FIELD

FRONT ELEVATION (REAR VIEW)
SCALE: 1/2" = 1'-0"

WT SHAPES: A992; TUBES: 500 GR. B
CHANNELS, PLATES & FITTINGS: A36
BOLTS: 3/4" A325 SC (U.O.N.)
HOLES: 13/16" (U.O.N.)
WELD: E70XX ELECTRODES
PAINT: AS PER SPECIFICATION

REVISIONS		
No.	DATE	REMARKS

PROJECT: 461 WEST 150TH STREET FRONT STRUCTURE	DRAWING
TITLE: FRONT ELEVATION (REAR VIEW)	E2
ENGINEER: MURRAY ENGINEERING	
ARCH.: MICHAEL SHMITT ARCHITECT PC	
Steel detailer: NYacad, Inc. www.nyacad.com	
DRAWN BY: A.B. DATE: May/12/10	



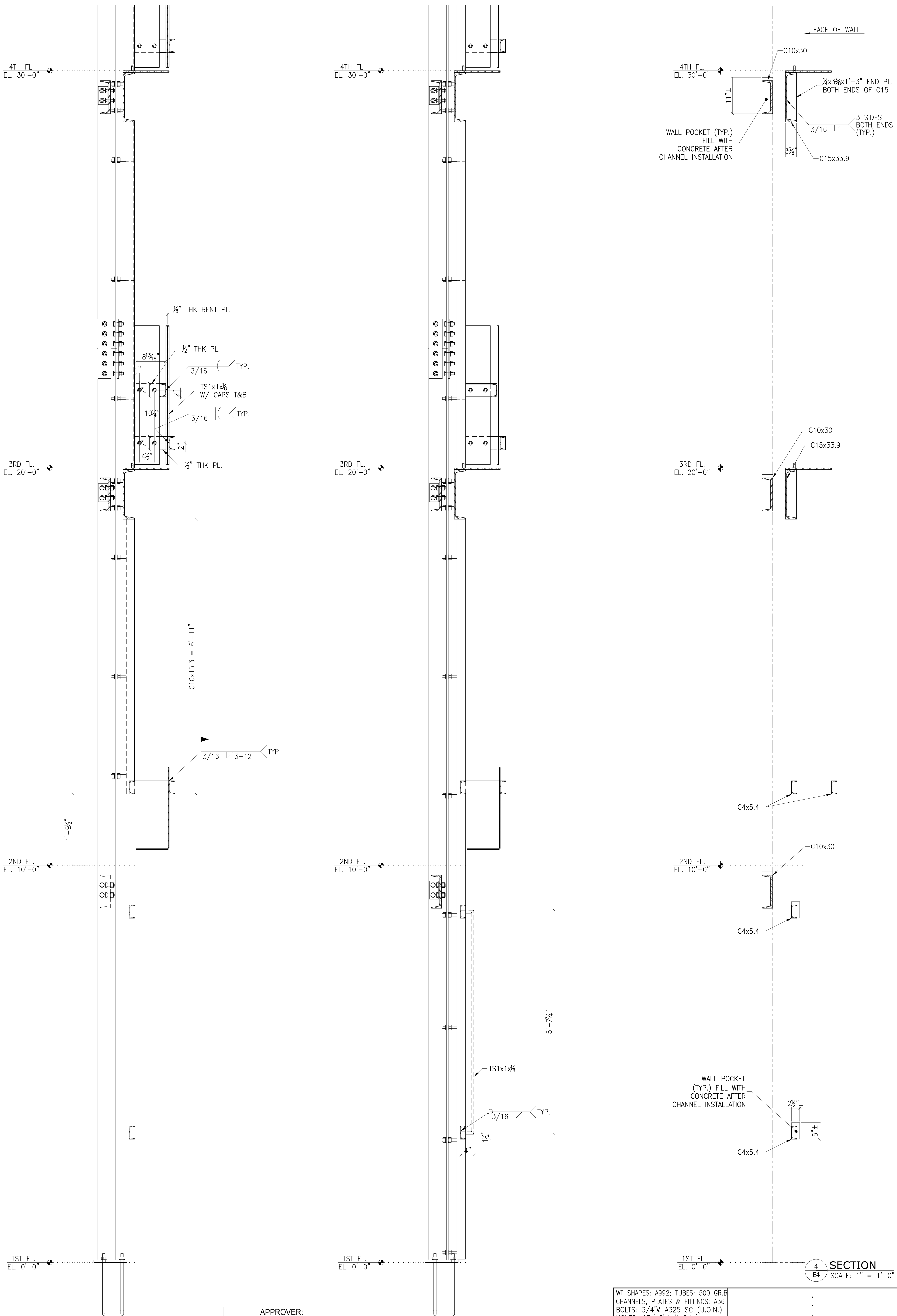
1 SECTION
E3 SCALE: 1" = 1'-0"

APPROVER:
PLEASE VERIFY INFORMATION,
DIMENSIONS AND ELEVATIONS
SHOWN ON THIS DRAWING

ALL DIMENSIONS SHOWN ON THIS DRAWING
TO BE VERIFIED IN THE FIELD

WT SHAPES: A992; TUBES: 500 GR. B		PROJECT: 461 WEST 150TH STREET FRONT STRUCTURE	
CHANNELS, PLATES & FITTINGS: A36		TITLE: SECTION 1	
BOLTS: 3/4" A325 SC (U.O.N.)		ENGINEER: MURRAY ENGINEERING	
HOLES: 13/16" (U.O.N.)		ARCH.: MICHAEL SHMITT ARCHITECT PC	
WELD: E70XX ELECTRODES		DRAWING	
PAINT: AS PER SPECIFICATION		Steel detailer: Nyacad, Inc. www.nyacad.com	
REVISIONS		DRAWN BY: A.B. DATE: May/12/10	
No.	DATE	REMARKS	

E3



2 SECTION
E4 SCALE: 1" = 1'-0"

NOTE: SEE SECT. 1/E3 FOR THE BALANCE OF INFORMATION

APPROVER:
PLEASE VERIFY INFORMATION,
DIMENSIONS AND ELEVATIONS
SHOWN ON THIS DRAWING

ALL DIMENSIONS SHOWN ON THIS DRAWING
TO BE VERIFIED IN THE FIELD

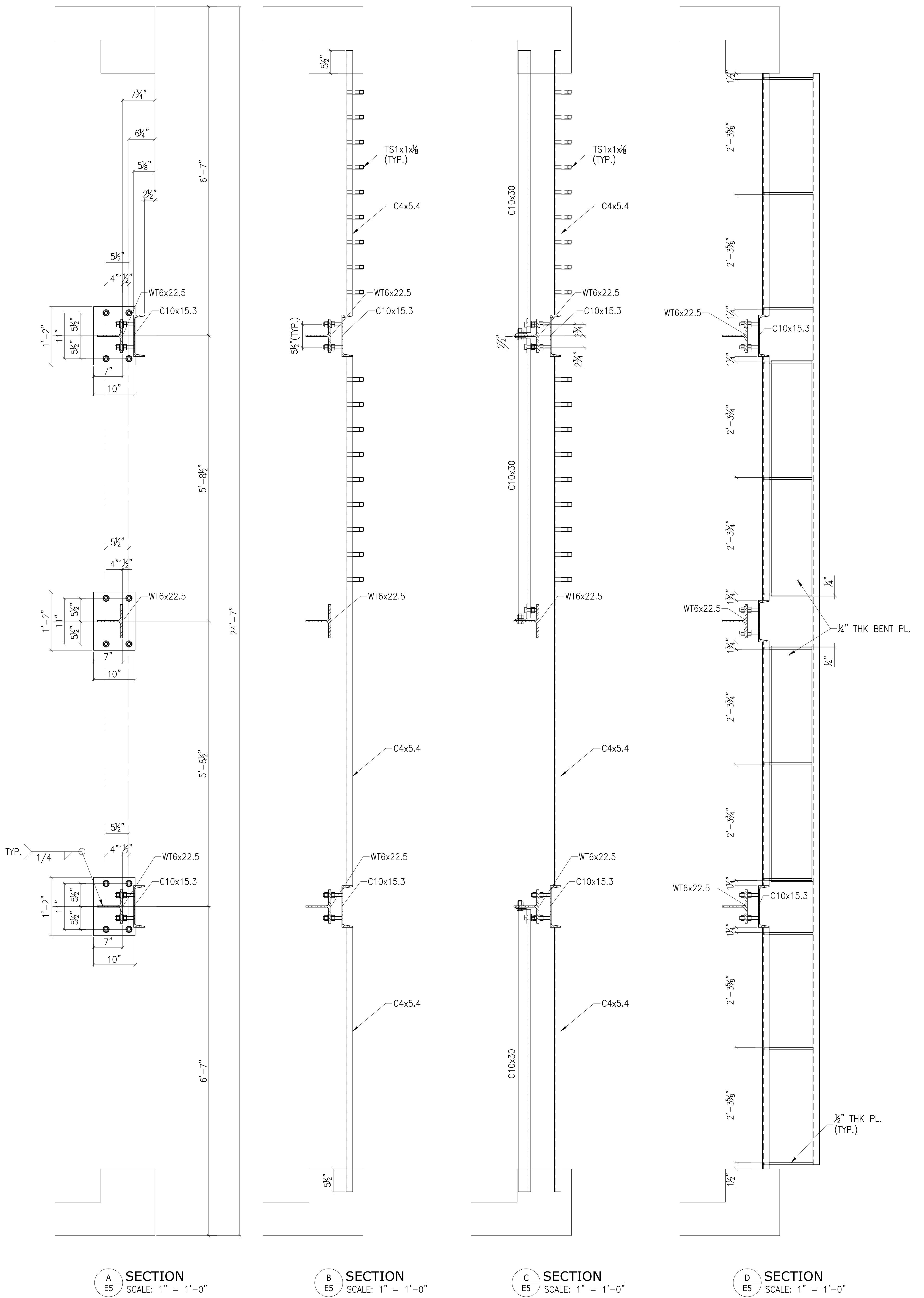
3 SECTION
E4 SCALE: 1" = 1'-0"

NOTE: SEE SECT. 1/E3 FOR THE BALANCE OF INFORMATION

4 SECTION
E4 SCALE: 1" = 1'-0"

WT SHAPES: A992; TUBES: 500 GR. B CHANNELS, PLATES & FITTINGS: A36 BOLTS: 3/4" A325 SC (U.O.N.) HOLES: 13/16" (U.O.N.) WELD: E70XX ELECTRODES PAINT: AS PER SPECIFICATION			PROJECT: 461 WEST 150TH STREET FRONT STRUCTURE TITLE: SECTIONS 2, 3 & 4 ENGINEER: MURRAY ENGINEERING ARCH.: MICHAEL SHMITT ARCHITECT PC Steel detailer: NYacad, Inc. www.nyacad.com DRAWN BY: A.B. DATE: May/12/10
REVISIONS			
No.	DATE	REMARKS	

E4



A SECTION
E5 SCALE: 1" = 1'-0"

B SECTION
E5 SCALE: 1" = 1'-0"

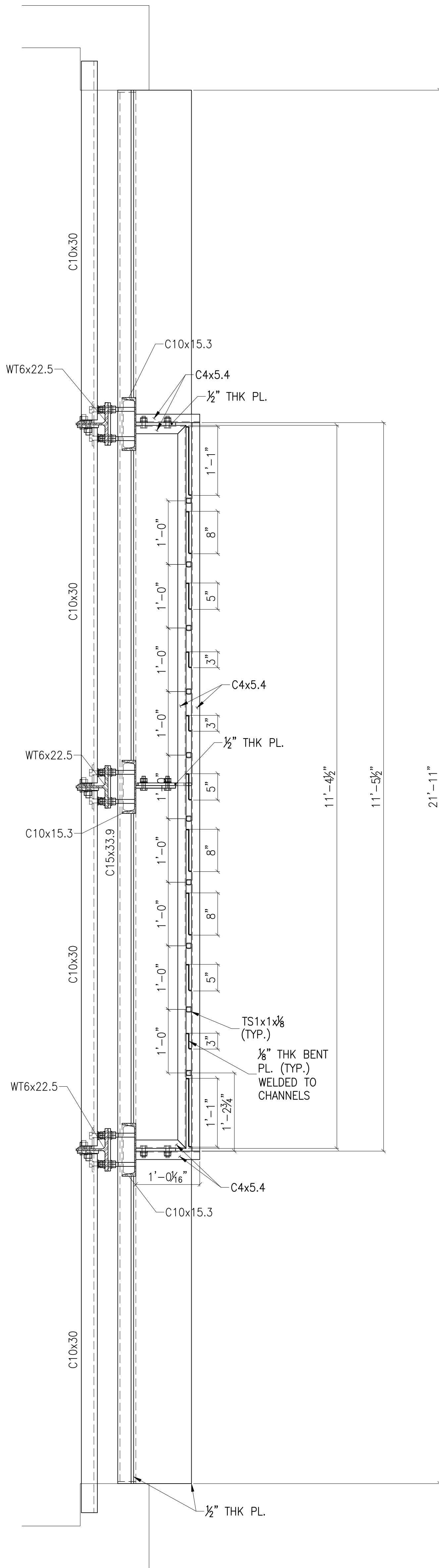
C SECTION
E5 SCALE: 1" = 1'-0"

D SECTION
E5 SCALE: 1" = 1'-0"

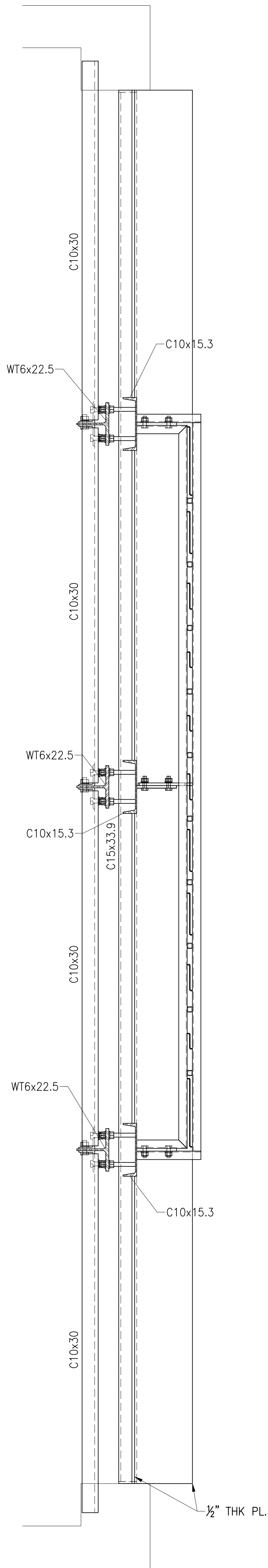
APPROVER:
PLEASE VERIFY INFORMATION,
DIMENSIONS AND ELEVATIONS
SHOWN ON THIS DRAWING

ALL DIMENSIONS SHOWN ON THIS DRAWING
TO BE VERIFIED IN THE FIELD

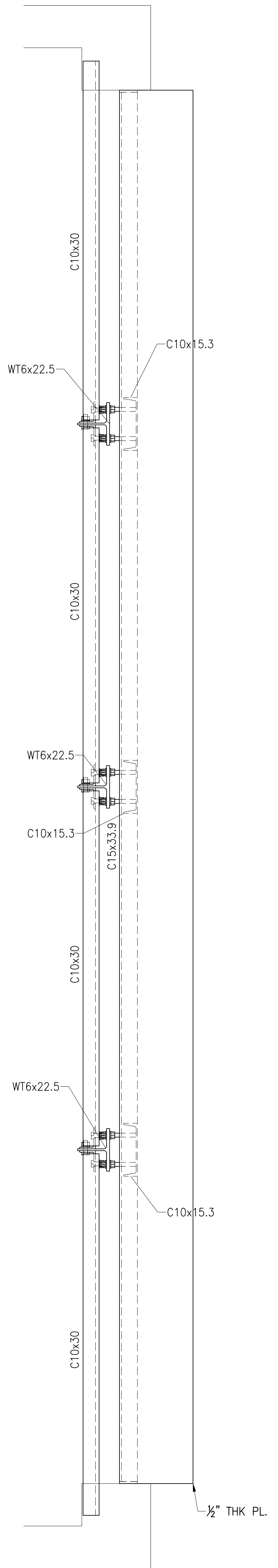
WT SHAPES: A992; TUBES: 500 GR. B		
CHANNELS, PLATES & FITTINGS: A36		
BOLTS: 3/4" A325 SC (U.O.N.)		
HOLES: 13/16" (U.O.N.)		
WELD: E70XX ELECTRODES		
PAINT: AS PER SPECIFICATION		
REVISIONS		
No.	DATE	REMARKS
PROJECT: 461 WEST 150TH STREET FRONT STRUCTURE		
TITLE: SECTIONS A, B, C & D		
ENGINEER: MURRAY ENGINEERING		
ARCH.: MICHAEL SHMITT ARCHITECT PC		DRAWING
Steel detailer: NYacad, Inc. www.nyacad.com		
DRAWN BY: A.B. DATE: May/12/10		E5



E SECTION
SCALE: 1" = 1'-0"



F SECTION
SCALE: 1" = 1'-0"



G SECTION
SCALE: 1" = 1'-0"

NOTE: SEE SECT. E FOR THE BALANCE OF INFORMATION

APPROVER:
PLEASE VERIFY INFORMATION,
DIMENSIONS AND ELEVATIONS
SHOWN ON THIS DRAWING

ALL DIMENSIONS SHOWN ON THIS DRAWING
TO BE VERIFIED IN THE FIELD

WT SHAPES: A992; TUBES: 500 GR. B		PROJECT: 461 WEST 150TH STREET FRONT STRUCTURE	
CHANNELS, PLATES & FITTINGS: A36		TITLE: SECTIONS E, F & G	
BOLTS: 3/4" A325 SC (U.O.N.)		ENGINEER: MURRAY ENGINEERING	
HOLES: 13/16" (U.O.N.)		ARCH.: MICHAEL SHMITT ARCHITECT PC	
WELD: E70XX ELECTRODES		Steel detailer: NYacad, Inc. www.nyacad.com	
PAINT: AS PER SPECIFICATION		DRAWN BY: A.B. DATE: May/12/10	
REVISIONS			
No.	DATE	REMARKS	DRAWING

E6